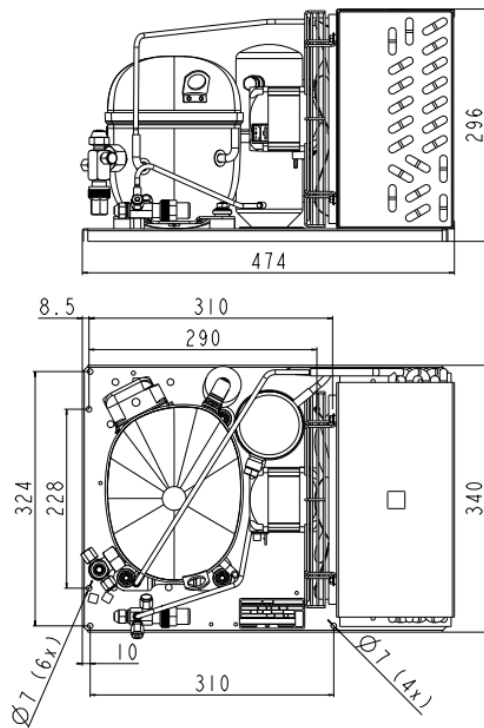


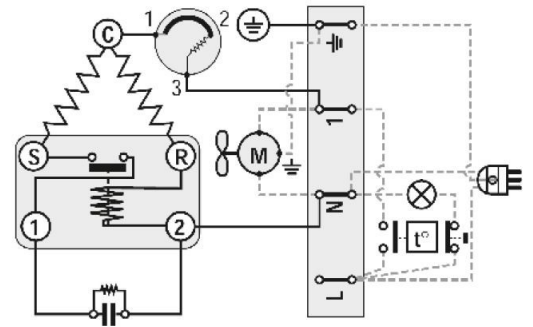
GENERAL DATA

Application:	LBP
Refrigerant:	R404A
Expansion Device:	C-V
Weight:	26.8 kg
Receiver:	1.1 liter
Voltage/Frequency:	200 - 240 V 50 ~ 230 V 60 ~
Height:	26.8 mm
Length:	474 mm
Width:	340 mm
Institute Approvals:	CE

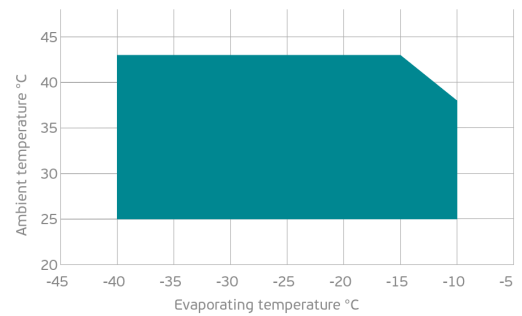
EXTERNAL DIMENSIONS



WIRING DIAGRAM



OPERATING ENVELOPE



COMPONENTS (SPARE PARTS)

fankit:	16W 254/28°/5B	1996579
valve_suca:	FLARE 3/8"	2110056
elkit:	ELKOM NT2168GK	922DN0412A

condenser:	4R11T	2451217
valve_disch:	FLARE 1/4"	2110025
compressor:	NT2168GK	922DN09..AC

For additional accessories please contact our technical support

ELECTRICAL DATA

Motor Type: CSIR -
Locked Rotor Amperage (RLA): 25 A
Max.Current: 4.25 A

At maximum evaporating temperature and maximum ambient temperature.

FAN MOTOR

Number: 1 -
Shaft Power: 16 W
Air Flow: 460 m³/hod
Blade Diameter: 254 mm

PERFORMANCE CURVE DATA

Standard: EN13215_RG20 / return gas 20°C, subcooling 3K

50 Hz

	Evaporating Temperature (°C)	Cooling Capacity (W)	Power Consumption (W)	Current Consumption (A)	Efficiency (W)
25°C Ambient Temperature	-10°C	1 106	658	3.42	1.68
	-15°C	930	598	3.12	1.56
	-20°C	774	542	2.84	1.43
	-25°C	633	490	2.58	1.29
	-30°C	506	441	2.34	1.15
	Rated point -35°C	389	394	2.12	0.99
	-40°C	279	347	1.90	0.81
32°C Ambient Temperature	-10°C	1 006	679	3.53	1.48
	-15°C	845	616	3.21	1.37
	-20°C	702	558	2.93	1.26
	-25°C	574	505	2.66	1.14
	-30°C	459	454	2.41	1.01
	Rated point -35°C	354	406	2.18	0.87
	-40°C	257	359	1.97	0.72
43°C Ambient Temperature	-15°C	725	655	3.42	1.11
	-20°C	599	593	3.11	1.01
	-25°C	488	535	2.82	0.91
	-30°C	390	481	2.56	0.81
	Rated point -35°C	301	430	2.31	0.70
	-40°C	218	381	2.09	0.57