

Technical Data Sheet

Compressor model **ML40TB**
 Voltage **220-240V 50Hz ~1**
 Refrigerant **R404A**

APPLICATION

COMPRESSOR

MOTOR

Application	High-Medium Back Pressure	Displacement	4,05 cm ³	Approximate Power	1/6 hp
Refrigerant	R404A	Diameter	20,88 mm	Voltage/Frequency	220V 50Hz
Evaporating Temp.	-25,0 to 10,0	Stroke	11,83 mm	Voltage range	187-264 V
Expansion	Capillar/Valve	Net Weight	10,00 Kg	Type	CSIR
Comp. Cooling	Fan cooled	Oil type	ISO VG 46 ESTER	Phase number	1 P
Max. ambient temp.	43,0	Oil charge	300 cm ³	Locked rotor current	9,70 A
				Main W. resist. at 25°C	12,00
				Start W. resist. at 25°C	30,00

NOMINAL PERFORMANCE

APPROVALS

	ASHRAE	CECOMAF
Cooling Capacity	510 kcal/h	472 W
COP	1,74 W/W	1,44 W/W
EER	1,50 kcal/Wh	1,25 kcal/Wh
Input Power	340 W	328 W
Current	1,90 A	1,85 A

TEST CYCLE CONDITIONS

	ASHRAE HMBP (D)	CECOMAF HMBP (C)
Evaporating temp.	7,2 °C	5,0 °C
Condensing temp.	55,0 °C	55,0 °C
Liquid temp.	46,0 °C	55,0 °C
Ambient temp.	35,0 °C	32,0 °C
Suction temp.	35,0 °C	32,0 °C
Voltage/Frequency	220 V 50 Hz	220 V 50 Hz

ELECTRICAL COMPONENTS

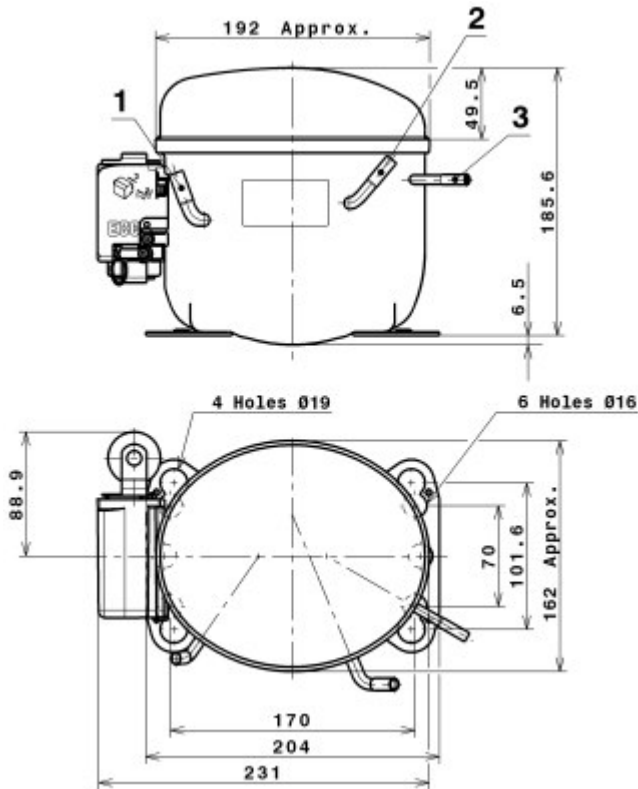
Starting capacitor	47- 56 µF 330 V			
Relay	Option 1			
Reference	2014 127.			
Pick-Up	4,80 A			
Drop-Out	4,10 A			
Protector	Option 1	Option 2		
Reference	MRP56AMK	T0057		
Current	9,40 A	8,50 A		
Time check	7,5-14 seg	7,5-14 seg		
Disc temp. (Open/Close)	105,00 / 61,00 °C	105,00 / 61,00 °C		

ASHRAE

Tc	Te	Cooling Capacity kcal/h	Consumption W	Current A	COP W/W	EER kcal/Wh
40	-25	177	181	1,35	1,14	0,98
40	-20	230	198	1,40	1,35	1,16
40	-15	291	215	1,45	1,58	1,36
40	-10	360	231	1,51	1,81	1,56
40	-5	438	248	1,56	2,05	1,77
40	0	524	265	1,62	2,30	1,98
40	5	619	282	1,68	2,56	2,20
40	7,2	663	289	1,70	2,67	2,29
40	10	722	298	1,74	2,81	2,42
45	-25	162	184	1,36	1,02	0,88
45	-20	209	203	1,42	1,20	1,03
45	-15	265	222	1,48	1,39	1,19
45	-10	329	241	1,54	1,59	1,36
45	-5	401	260	1,60	1,79	1,54
45	0	481	279	1,67	2,01	1,73
45	5	570	298	1,73	2,23	1,92
45	7,2	612	306	1,77	2,33	2,00
45	10	667	317	1,81	2,45	2,11
50	-25	147	187	1,37	0,91	0,79
50	-20	189	208	1,43	1,05	0,91
50	-15	238	229	1,50	1,21	1,04
50	-10	297	250	1,57	1,38	1,18
50	-5	363	272	1,64	1,56	1,34
50	0	438	293	1,72	1,74	1,50
50	5	522	314	1,80	1,93	1,66
50	7,2	561	323	1,83	2,02	1,74
50	10	613	335	1,88	2,13	1,83
55	-25	132	190	1,38	0,81	0,69
55	-20	168	213	1,45	0,92	0,79
55	-15	212	237	1,52	1,04	0,90
55	-10	265	260	1,60	1,19	1,02
55	-5	326	283	1,68	1,34	1,15
55	0	395	307	1,77	1,50	1,29
55	5	473	330	1,86	1,67	1,43
55	7,2	510	340	1,90	1,74	1,50
55	10	559	353	1,95	1,84	1,58
60	-25	117	193	1,39	0,71	0,61
60	-20	147	219	1,46	0,78	0,67
60	-15	186	244	1,55	0,89	0,76
60	-10	233	270	1,63	1,01	0,87
60	-5	289	295	1,72	1,14	0,98
60	0	352	320	1,82	1,28	1,10
60	5	425	346	1,92	1,43	1,23
60	7,2	459	357	1,97	1,50	1,29
60	10	505	371	2,03	1,58	1,36

Technical Data Sheet

COMPRESSOR DIMENSIONS

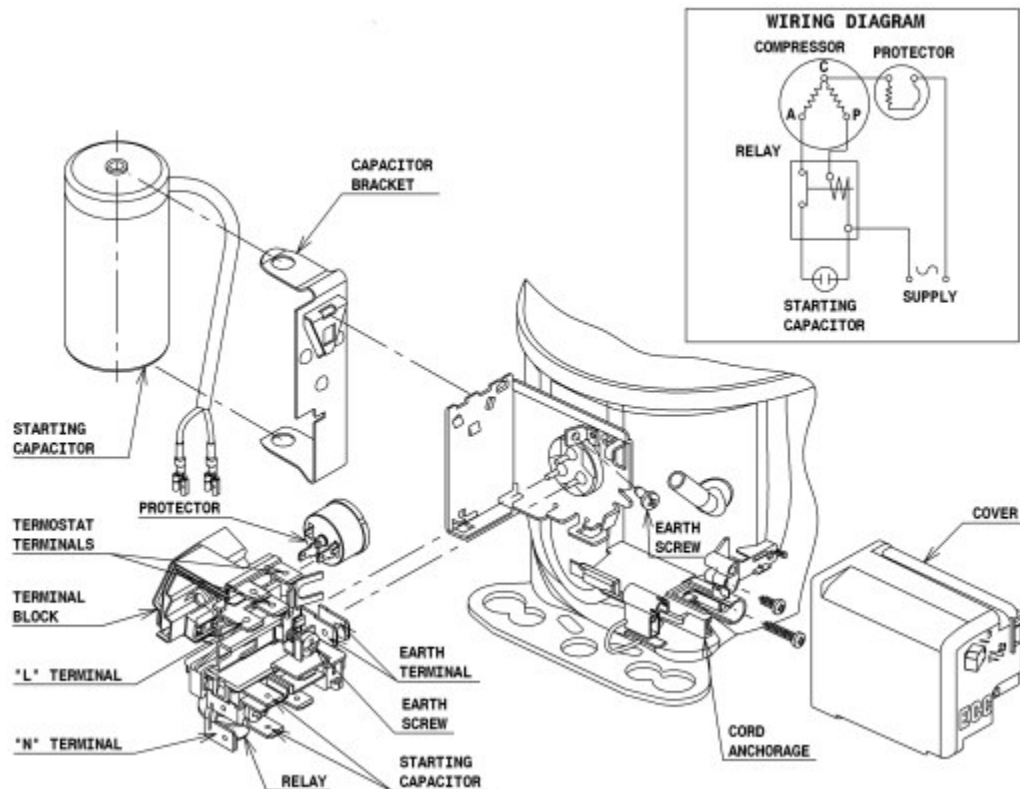


DESIGNATION INTERNAL DIAM.

DESIGNATION	INTERNAL DIAM.
1	Suction 6,5 mm
2	Service 6,5 mm
3	Discharge 4,9 mm

WIRING DIAGRAMS AND ELECTRICAL ASSEMBLY

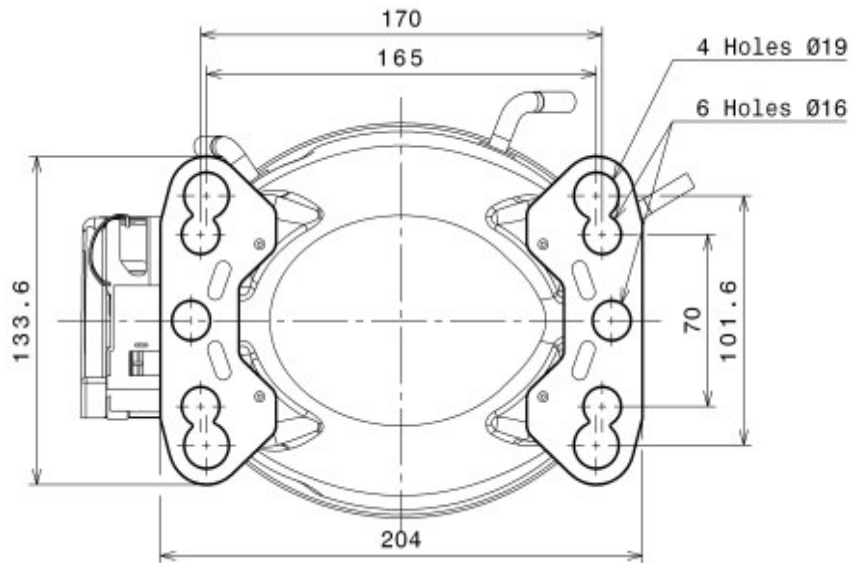
CSIR CONNECTION



Technical Data Sheet

FIXINGS

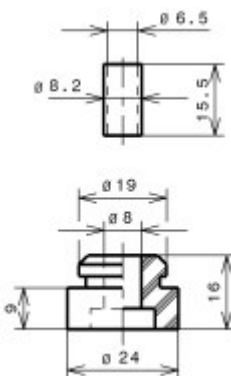
American mounting feet



SILENT BLOCKS (MOUNTING ACCESSORIES)

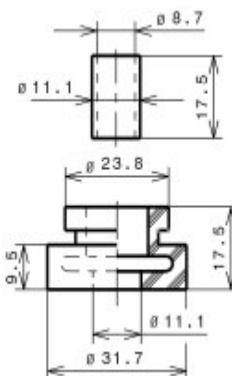
STANDARD

D.16 holds net (170x70)



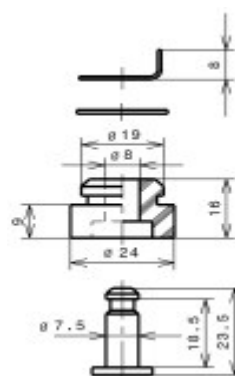
AMERICAN FEET

D.19 (165x101.6)



SNAP-ON

D.16 holds net (170x70)



SOA

SOA R404A HMBP

